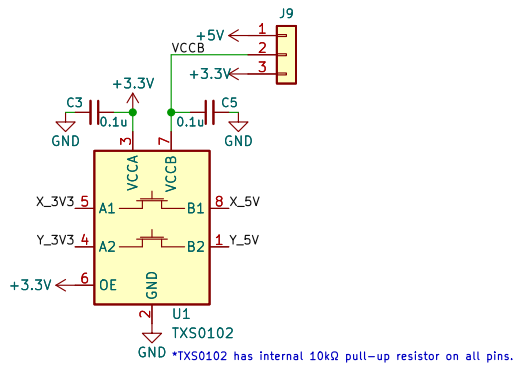
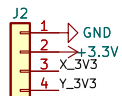
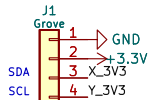
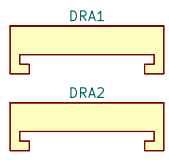
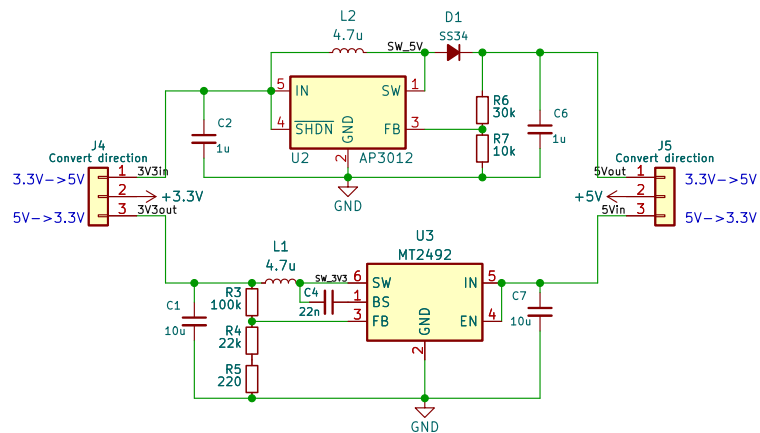
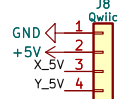
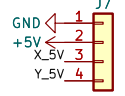
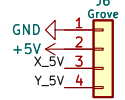


### 3.3V



### 5V



Sheet: /		File: i2c-voltage-convert-mod.kicad_sch	
<b>Title: Grove/Qwiic voltage convert module</b>			
Size: A4	Date:	Rev: 1.0	
KiCad E.D.A. kicad (6.0.7)		Id: 1/1	